

Aluminum Fence Layout

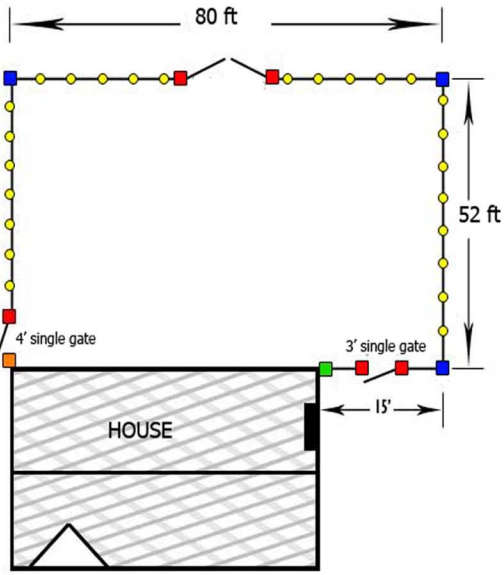
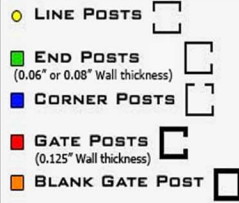


DIAGRAM KEY



This customer will need

- 31 Fence Sections
- 25 Line Posts
- 1 End Post
- 3 Corner Posts
- 6 Gate Posts (1 Blank)
- 1 3' Walk Gate w/ Hardware
- 1 4' Walk Gate w/ Hardware
- 1 12' Double Gate w/ Hardware

Picture Of Stake Of Layout



1. Decide where you want to locate your fence.
Our fence sections are in 6' length, so try to keep your fence lines in increments divisible by 6 to eliminate cutting panels down.
2. Stake out to create a string line that you can use as reference when setting your post.
The stake should be tall enough so that the line does not touch the ground.

PLEASE NOTE: It is the Responsibility of the Installer to Comply with Relevant Local Building Codes. Most styles can be customized to meet specific building codes. Be sure to specify codes when ordering. **IMPORTANT! CALL BEFORE YOU DIG!** Electric, gas, water and many other lines crisscross most urban areas. Even rural areas have heavy concentrations of underground utility lines. To avoid hitting any of these lines (some of which are only inches below the ground) call your local utility companies 2-3 days before you dig. (Most states have a one-call number.)

Installing Your Aluminum Fence

Step 1: Dig Hole



Start by setting the corner post. Use a post hole digger or rent an auger at your local tool rental center. Dig each hole approximately 12" below frost line. (2' to 3' deep)

Step 2: Set Post



Place the post in the hole plumb to line and that fence panel is approximately 2" of the ground. Add a shovel full of gravel around post for good drainage.

Step 3: Level



Check the level carefully. Level to mason line and then to fence line. Adjust as necessary, making sure that the height above ground is plumb.

Step 4: Pour Concrete



Pour concrete around the post. Carefully tamp concrete around post to assure concrete is around post equally. Relevel post.

Step 5: Assemble



Assemble fence section by sliding the section into the pre-punched post hole. Make sure to check spacing under fence and fence is level.

Step 6: Secure Fence

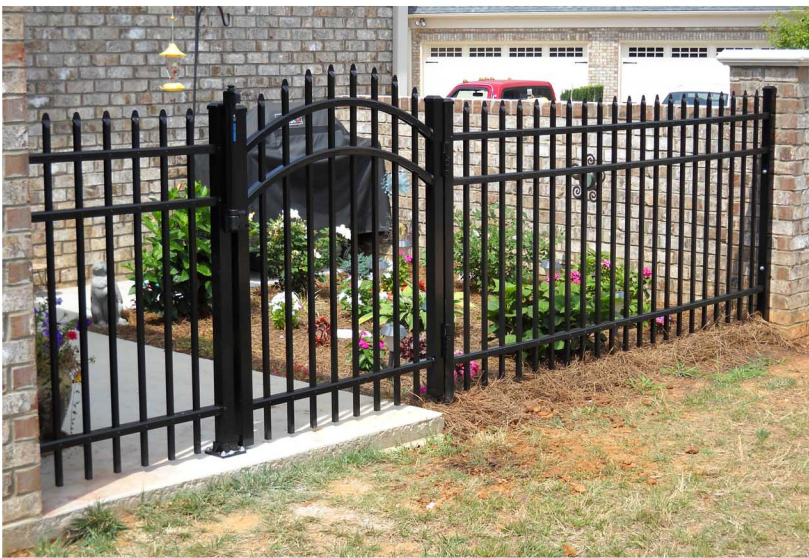


Secure fence by using the self-drilling screws provided. Screws through the post into rail to lock sections in place.

Step 7: Repeat

Continue installing one post and one section at a time. Setting each post and fence section as you go.

Notes for Attaching The Gate



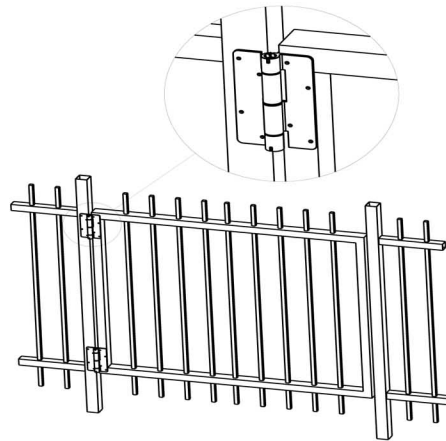
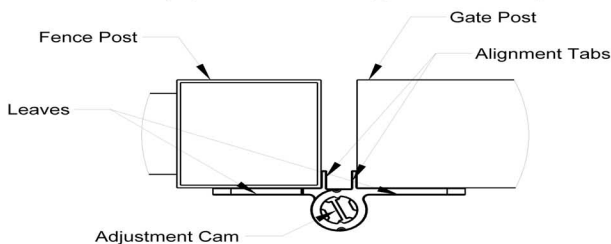
1. All of OnGuard's Gate are actual size. A 4' gate will measure 48" in length; therefore, your gate opening should be wider than 48". Leave at least 1.25" to 1.5" of space for hinges to be properly attached.
2. Gate post is the End post that has thicker walls than other end post.
3. In area of heavy frost, be sure to extend your footer down past the frost line.
4. If you have to meet BOCA Codes, your gate has to swing out. Check the local regulation before you hang the gate.
5. Make sure the concrete has cured before you hang the gate.

Self Closing Gate Hinge

SELF CLOSING HINGE INSTALLATION, ADJUSTMENT AND MAINTENANCE INSTRUCTIONS

HINGE MOUNTING

The hinge should be mounted as shown. The leaves should be positioned on the outside surface of the posts when the gate is closed. The alignment tabs should be located between the gate and fence posts when the gate is in the closed position. The top surface of the upper hinge should be mounted within 1/2" of the top surface of the top rail and the bottom surface of the lower hinge should be mounted within 1/2" of the lower surface of the lower rail. In applications where additional hinges are used, they should be evenly spaced between the upper and lower hinges.

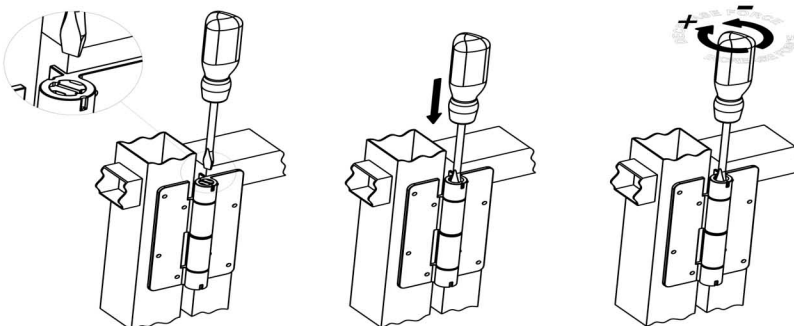


SPRING TENSION ADJUSTMENT AND MAINTENANCE

Insert flat tip screwdriver into the cam at the end of the hinge barrel.

Press the screwdriver downward, pushing the cam into the barrel.

Rotate the cam clockwise to increase spring tension and counter-clockwise to reduce spring tension. Adjust one hinge at a time in 1/4 turn increments.



The hinge should be inspected annually, or more frequently if the gate is used often. Spring tension adjustments should be made as needed. The hinge should be regularly lubricated by spraying an oil based lubricant into the area of the cams and barrel.